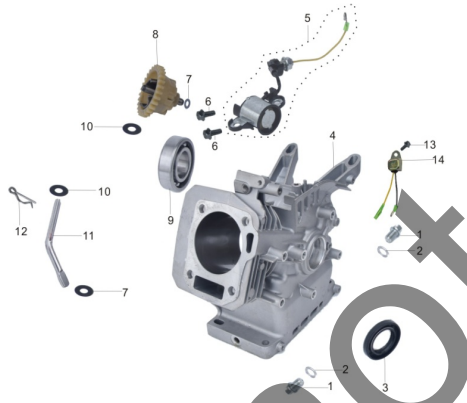


LFQ-2565 产品图册

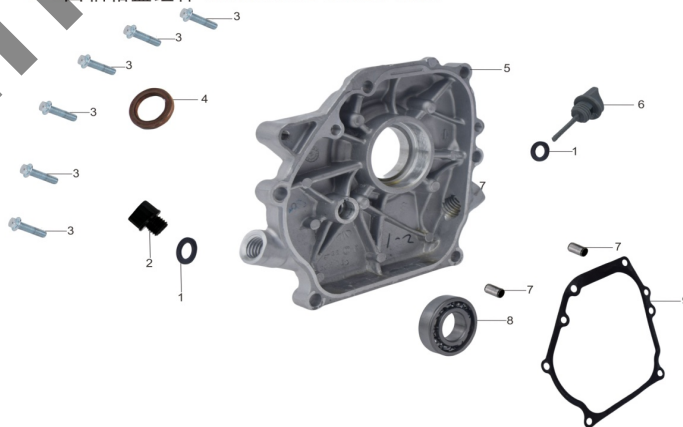


E-1 曲轴箱总成 CRANKCASE ASSY



Id	PartNo	PartName	Description	Quantity	Price
E01-1	11115-A0710-0001	放油螺栓 M10x1.25x15mm	Drain plug M10x1.25x15mm	2	
E01-2	11116-A0710-0001	放油螺塞垫圈 $\Phi 10.1 \times \Phi 15.3 \times 2$	Washer $\Phi 12 \times \Phi 20 \times 2$	2	
E01-3	11120-A0710-0001	曲轴油封组件(一)	Oil seal, crankshaft	1	
E01-4	11110-A0720-0010	曲轴箱组件	Crankcase	1	
E01-5	27400-A0710-0002	机油传感器组合	Oil sensor	1	
E01-6	T152-0004	六角法兰面螺栓GB/T5789 M6x14mm	Bolt M6x14	2	
E01-7	26113-A0710-0001	调速摆杆垫片 6.7mmx12.8mmx1mm	Washer	2	
E01-8	25100-A0710-0004	调速从动齿轮组合	Driven gear, regulator assy	2	
E01-9	T910-0001	轴承GB/T276	Bearing 6207 GB/T276	1	
E01-10	25113-A0810-0001	调速滑套垫片	Washer	2	
E01-11	26111-A0710-0001	调速摆杆	Regulating sway bar	1	
E01-12	26112-A0710-0001	调速摆杆锁夹	Split pin	1	
E01-13	T152-0019	六角法兰面螺栓GB/T5789	bolt, GB/T5789	1	
E01-14	27500-A0710-0001	单向导通器组合	diode	1	

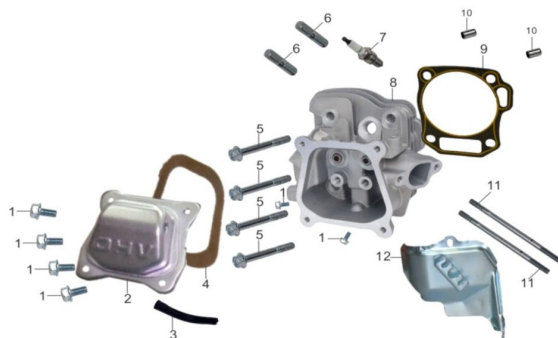
E-2曲轴箱盖组件 CRANKCASE COVER ASSY



Id	PartNo	PartName	Description	Quantity	Price
E02-01	15512-A0710-0001	机油尺密封圈(一)	Seal, dipstick	2	
E02-02	15610-A0710-0006	机油塞组件	Seal plug	1	
E02-03	T151-0001	六角法兰面螺栓GB/T16674 M8x32mm	Bolt M8x32mm	6	
E02-04	11120-A0710-0002	曲轴油封组件(一)	Oil seal, crankshaft	1	
E02-05	11211-A0710-0001	曲轴箱盖	Crankcase cover	1	
E02-06	15510-A0710-0009	机油尺组件	Dipstick with seal	1	
E02-07	11113-A0710-0001	曲轴箱盖定位销	Pin	2	

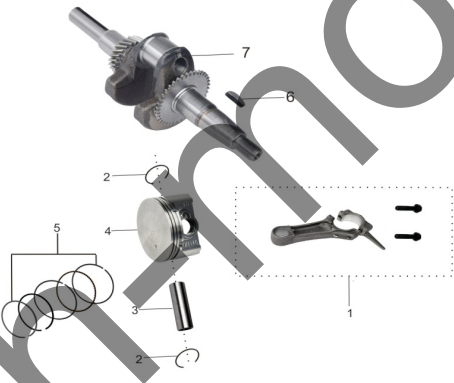
E02-08	T910-0001	轴承GB/T276	Bearing GB/T276	1
E02-09	11114-A0710-0005	曲轴箱垫片	Gasket, crankcase	1

E-3 气缸头 气缸头盖总成
CYLINDER HEAD & CYLINDER HEAD COVER ASSY



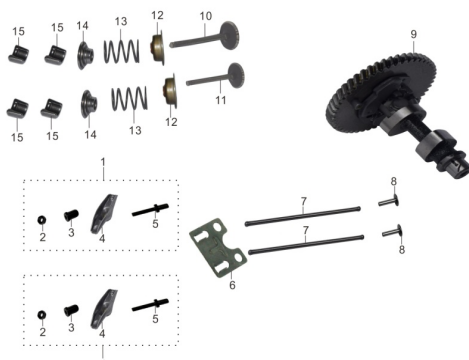
Id	PartNo	PartName	Description	Quantity	Price
E03-1	T152-0019	六角法兰面螺栓GB/T5789 M6×12mm	Bolt M6×12	6	
E03-2	12200-A0721-0001	气缸头盖组合	Cylinder head cover Assy	1	
E03-3	19143-A0710-0001	废气管	Pipe of exhaust gas	1	
E03-4	12212-A0721-0001	气缸头盖密封圈	Gasket, cylinder head cover	1	
E03-5	12118-A0710-0001	气缸头螺栓M8×60	Bolt, cylinder head M8×60	4	
E03-6	18214-A0710-0001	排气口双头螺栓M8×34	Stud of exhaust outlet M8×34	2	
E03-7	27100-A0710-0001	火花塞组合F6TC	Spark plug	1	
E03-8	12100-A0721-0002	气缸头组合	Cylinder head Assy	1	
E03-9	12120-A0721-0001	气缸头密封垫组件	Gasket, cylinder head	1	
E03-10	12117-A0710-0001	气缸头定位销Φ10×16	Set pin Φ10×16	2	
E03-11	17218-A0710-0001	进气口双头螺栓M6×109	Stud of exhaust outlet M6×109	2	
E03-12	19121-A0721-0001	下导风罩(一)	Lead wind cover	1	

E-4曲轴活塞连杆 平衡轴总成
CRANKSHAFT, PISTON, CONNECTING & BALANCING SHAFT



Id	PartNo	PartName	Description	Quantity	Price
E04-1	13120-A0710-0001	连杆组件	Connect rod assy	1	
E04-2	13313-A0710-0001	活塞销挡圈	Piston pin circlip	2	
E04-3	13312-A0710-0001	活塞销	Piston pin	1	
E04-4	13311-A0720-0001	活塞	Piston	1	
E04-5	13400-A0710-0001	活塞环组合	Piston ring set	1	
E04-6	13112-A0710-0001	半圆键	Woodruff key	1	
E04-7	13110-A0720-0066	曲轴组件	Crankshaft assy	1	

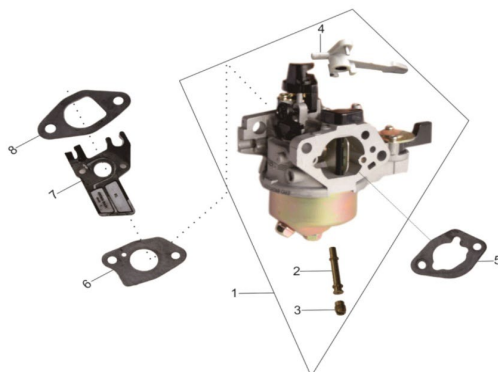
E-5 凸轮轴装配组合 气门摇臂组合
COMBINATION OF CAM SHAFT & VALVE ROCKER



Id	PartNo	PartName	Description	Quantity	Price
E05-1	14310-A0710-0001	气门摇臂装配组合	Valve rocker assy	2	
E05-2	14314-A0710-0001	气门间隙调节螺母	Lock nut	2	
E05-3	14312-A0710-0001	摇臂轴座销	Sleeve	2	

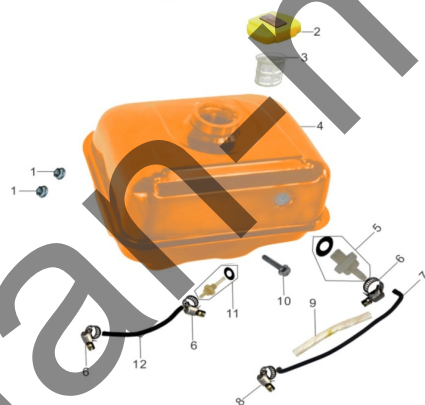
E05-4	14311-A0710-0001	气门摇臂	Valve rocker	2	
E05-5	14313-A0710-0001	气门间隙调节螺栓	Adjusting bolt for valve gap	2	
E05-6	14220-A0710-0001	推杆导架组件	Pusher guide	2	
E05-7	14210-A0710-0001	推杆组件	Pusher	2	
E05-8	14315-A0720-0001	挺柱	Tappet	1	
E05-9	14100-A0720-0001	凸轮轴装配组合	Camshaft Assy	1	
E05-10	14411-A0720-0001	进气门	Intake valve (after 2015)	1	
E05-11	14412-A0720-0001	排气门	Exhaust valve (after 2015)	1	
E05-12	14420-B9130-0001	挡油罩组件	Valve stem oil seal (after 2015)	2	
E05-13	14414-A0710-0001	气门弹簧	Valve spring (after 2015)	2	
E05-14	14413-A0720-0001	气门弹簧座(一)	Spring set, valve (after 2015)	2	
E05-15	14418-A0720-0001	气门锁夹	Valve lock clamp (after 2015)	4	

E-6 化油器总成 CARBURETOR ASSY



Id	PartNo	PartName	Description	Quantity	Price
E06-1	16100-A0720-0001	化油器总成	Carburetor Assy	1	
E06-2	16244-A0720-0001	主喷油管	Main nozzle	1	
E06-3	16243-A0720-0001	主喷油孔	Main jet	1	
E06-4	16363-A0710-0001	化油器开关手柄	Switch of carburetor	1	
E06-5	17113-A0710-0001	空滤器垫片	Air cleaner gasket	1	
E06-6	16113-A0710-0001	化油器垫片	Carburetor gasket	1	
E06-7	16120-A0710-0001	化油器接块组件	Connecting block	1	
E06-8	17219-A0710-0001	进气口垫片	Inlet gasket	1	

E-7 燃油箱总成 FUEL TANK ASSY



Id	PartNo	PartName	Description	Quantity	Price
E07-1	T311-0002	六角法兰面螺母GB/T6177.1 M6	Nut M6	2	
E07-2	16400-A0712-0001	燃油箱盖组合	Fuel tank cap assy	1	
E07-3	16610-A0710-0001	过滤杯组件	Filter cup assy	1	
E07-4	16510-A0712-0094	燃油箱组件	Fuel tank assy	1	
E07-5	16557-A0710-0001	出气接头	Air connector	1	
E07-6	16622-A0710-0002	油管夹(一)8mm-10mm	Pipe clamp (1)8mm-10mm	3	
E07-7	11513-A0710-0002	通气管	Air connect pipe	1	
E07-8	16622-A0710-0003	油管夹(一)10mm-14mm	Pipe clamp (1)10mm-14mm	1	
E07-9	12158-A0710-0001	隔热套	Insulation sleeve	1	
E07-10	T152-0011	六角法兰面螺栓GB/T5789 M6x28mm	Bolt M6x28	1	
E07-11	16630-A0710-0001	出油接头组件	Fuel connector assy	1	
E07-12	16621-A0710-0001	出油管(一)	Fuel outlet pipe (1)	1	

E-8 空气滤清器总成 AIR CLEANER ASSY



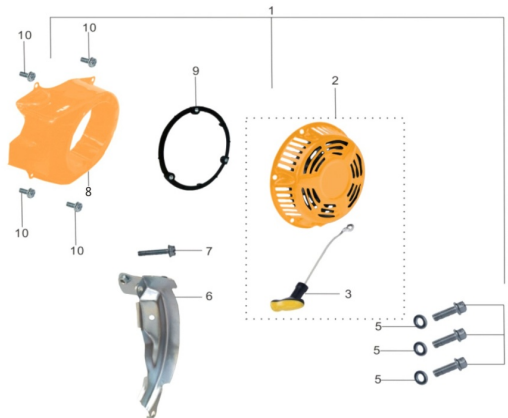
Id	PartNo	PartName	Description	Quantity	Price
E08-1	17100-A0712-0006	空滤器总成	Air cleaner assy	1	
E08-2	17111-A0712-0001	空滤器盖螺母	Air cleaner cover nut	1	
E08-3	17112-A0712-0001	空滤器盖	Air cleaner cover	1	
E08-4	T350-0002	蝶形螺母GB/T62	Wing nut	1	
E08-5	17120-A0710-0001	空滤器滤芯组件	Filter element	1	
E08-6	17121-A0710-0001	空滤器垫圈	Washer	1	
E08-7	17129-A0710-0001	空滤器密封圈	Seal, air cleaner	1	
E08-8	17200-A0710-0002	进气管组合	Air cleaner housing	1	
E08-9	T311-0002	六角法兰面螺母GB/T6177.1 M6	Nut M6	2	

E-9 消声器组件 MUFFLER



Id	PartNo	PartName	Description	Quantity	Price
E09-1	18000-A0712-0034	消声器总成	Exhaust muffler assy	1	
E09-2	18215-A0710-0001	排气口垫片	Gasket, exhaust	1	
E09-3	T441-0001	弹簧垫圈GB/T93 Φ8	Spring washer	2	
E09-4	T310-0001	六角螺母GB/T6170 M8	Nut M8	2	

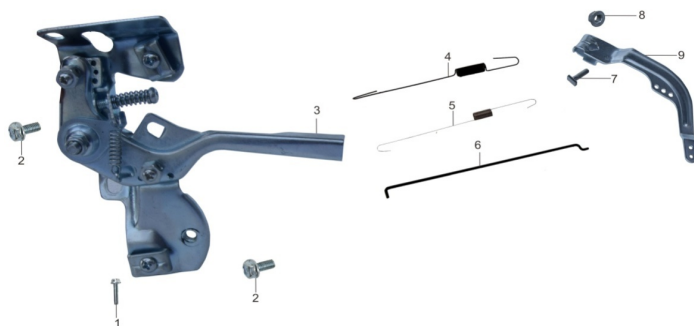
E-10 反冲起动部件 RECOIL STARTER



Id	PartNo	PartName	Description	Quantity	Price
E10-1	23100-A0722-0066	反冲起动器总成	Recoil starter assy	1	
E10-2	23200-A0721-0044	反冲起动器组合	Recoil starter	1	
E10-3	23230-A0712-0001	拉手组件	Pulling handle assy	1	
E10-4	23224-A0710-0001	反冲起动器组合安装螺栓 M6x16mm	Bolt M6x16	3	
E10-5	23226-A0710-0001	平垫 Φ6	Washer 6	3	
E10-6	19300-A0710-0001	曲轴箱侧板焊接组合	Side plate, crankcase	1	
E10-7	T152-0033	六角法兰面螺栓GB/T5789M6×22	Bolt M6x22	1	
E10-8	19211-A0725-0043	风扇罩	Fan hood assy	1	

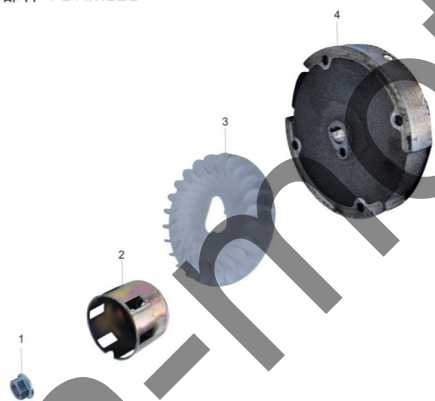
E10-9	23260-A0710-0001	反冲隔圈组合	Space ring, recoil starter	1	
E10-10	T152-0019	六角法兰面螺栓GB/T5789 M6×12	Bolt M6×12	4	

E-11 调速控制系统 REGULATING CONTROL SYSTEM



Id	PartNo	PartName	Description	Quantity	Price
E11-1	T152-0033	六角法兰面螺栓GB/T5789 M6x22mm	Bolt M6x22	1	
E11-2	T152-0019	六角法兰面螺栓GB/T5789 M6x12mm	Bolt M6x12	2	
E11-3	26200-A0710-0001	调速支架组合	Regulating frame assy	1	
E11-4	26117-A0710-0001	复位弹簧	Back spring	1	
E11-5	26118-A0710-0001	微调速弹簧	Fine regulating spring	1	
E11-6	26115-A0710-0001	调速拉杆	Pulling rod	1	
E11-7	26116-A0710-0001	调速臂紧固螺栓 M6x21mm	Lock bolt	1	
E11-8	T311-0002	六角法兰面螺母GB/T6177.1 M6	Nut M6	1	
E11-9	26114-A0710-0001	调速臂	Regulating arm	1	

E-12 飞轮部件 FLYWHEEL



Id	PartNo	PartName	Description	Quantity	Price
E12-1	23317-A0710-0001	飞轮螺母 M14×1.5	Nut M14×1.5	1	
E12-2	23316-A0710-0002	起动套	Starting flange	1	
E12-3	19111-A0710-0001	飞轮风扇	Fan	1	
E12-4	23300-A0710-0001	飞轮组合	Flywheel assy	1	

E-13 点火线圈组件 IGNITION COIL



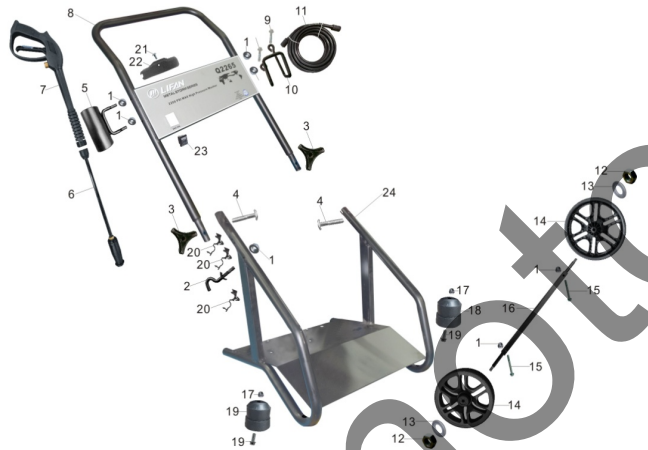
Id	PartNo	PartName	Description	Quantity	Price
E13-1	27200-A0710-0001	点火线圈组合(一)	Ignition coil assy	1	
E13-2	27220-A0710-0001	火花塞帽组件	Cap of spark plug assy	1	
E13-3	T152-0033	六角法兰面螺栓GB/T5789 M6x22	Bolt M6x22	2	

E-14 高压泵总成 WASHER PUMP ASSY



Id	PartNo	PartName	Description	Quantity	Price
E14-1	T441-0001	弹簧垫圈Φ8 GB/T93	Spring washer8	4	
E14-2	T230-0003	螺钉 M8×25mm GB/T70.1	Bolt M8×25mm	4	
E14-3	22117-A0710-0001	平键43×4.78×5	Flat key 43×4.78×5	1	
E14-4	55600-E4310-0001	清洗机高压泵总成	Water pump assy	1	

E-15 机架总成 FRAME ASSY



Id	PartNo	PartName	Description	Quantity	Price
E15-1	T354-0001	自锁螺母M8 GB/T6186.1	Nut M8	9	
E15-2	55170-E4310-0001	支撑弯勾组件	supporting hook assy	1	
E15-3	41135-C2310-0001	扶手螺母	handrail nuts	2	
E15-4	41134-C2310-0001	扶手螺栓 M8×45	handrail bolt M8×45	2	
E15-5	55160-E4310-0001	枪套挂架组件	Hang, spray gun	1	
E15-6	55520-E4310-0001	喷管组件	Spray tube	1	
E15-7	55550-E8310-0001	喷枪组件	Spray gun assy	1	
E15-8	41130-E4310-0001	上扶手组件	handrail assy	1	
E15-9	12118-A0430-0001	气缸头螺栓 M8×45	Bolt M8×45	2	
E15-10	55130-E4310-0001	水管挂件组件	Hang, water pipe	1	
E15-11	55511-E4310-0001	高压水管	Water pipe	1	
E15-12	T315-0002	螺母GB/T6187.2 Φ12	Nut Φ12	2	
E15-13	T411-0004	平垫圈GB/T97.1 Φ12	Washer Φ12	2	
E15-14	45420-B9130-0034	车轮组件	Wheel assy	2	
E15-15	12118-A0710-0001	气缸头螺栓 M8×60	Bolt M8×60	2	
E15-16	55150-E4310-0001	清洗机轮轴组件	Axle	1	
E15-17	T354-0002	自锁螺母GB/T6186.1 Φ6	NutGB/T6187.1	2	
E15-18	32413-E7310-0001	机架减震垫	Cushion, foot support	2	
E15-19	T151-0025	六角法兰面螺栓GB/T5789 M6×65	Bolt M6×65	2	
E15-20	16842-BC130-0001	单向阀固定卡	Clip, plastic	3	
E15-21	24213-A0714-0001	控制盒后盖	back cover for the control box	1	
E15-22	T210-0023	螺钉GB/T818	bolt, GB/T818	1	
E15-23	31225-B9130-0009	点火开关	ignition switch	1	
E15-24	41141-E4310-0001	下扶手	underside handrail	1	
	19313-A0710-0001	接线盒	connecting box 特征描述:基本状态	1	
	51227-E1110-0001	卡箍	clip 内径:25mm;	1	